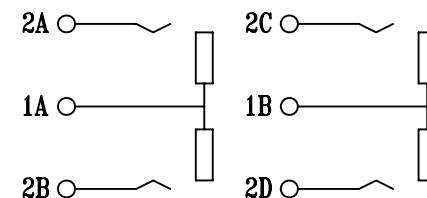
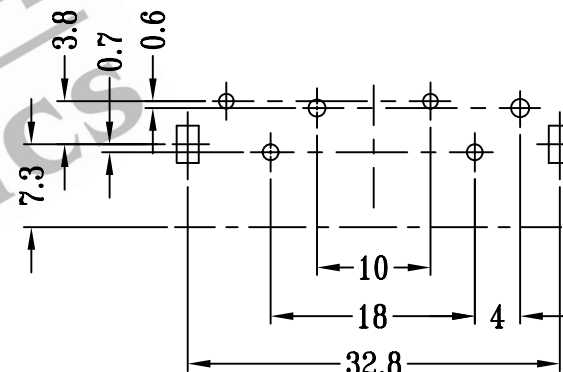
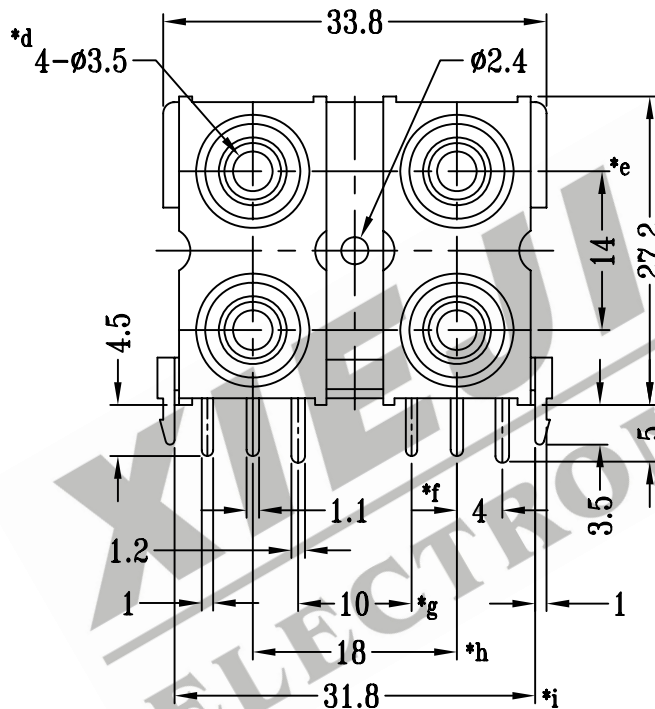
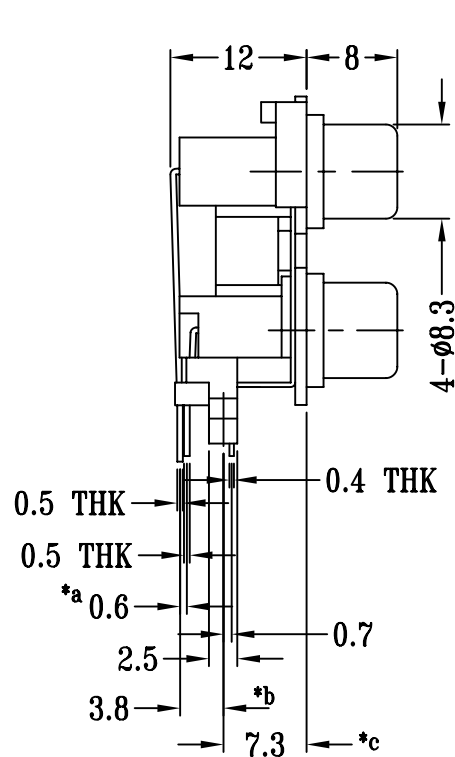


CAD FILE :



SCHMATIC



P.C.B LAYOUT

注:带"*"表示关键尺寸(9个)

8					TOLERANCE UNLESS SPECIFIED	SHENZHEN XIEJIA ELECTRONICS CO.,LTD.				
7										
6	TERMINAL B	PBS STRIP	2	Ag PLATED OVER Ni PLATED	WITHIN : 1.5±0.1mm OVER : 1.5±0.2mm	ISSUE	DATE	DESCRIPTIONS		APPD
5	WASHER	ABS	4	WHITE/RED						
4	COVER	ABS	2	BLACK	TITLE : RCA JACK	UNIT : M M	DRWG NO : XJ-DR-RC429-00			
3	SLEEVE	BRASS STRIP	2	Cr PLATED						
2	CASE	ABS	1	WHITE	MODEL: RC-429	SCALE : 3:2	DWN.	ZHOUYU	2003-10-14	
1	TERMINAL A	PBS STRIP	2	Ag PLATED OVER Ni PLATED			CHK'D	FANGYING	2003-10-14	
NO.	PART NAME	MATERIAL	QTY.	FINISHING	ALL MATERIALS MUST BE COMPLIANT TO ROHS			APPD.	KANGXINAN	2003-10-14